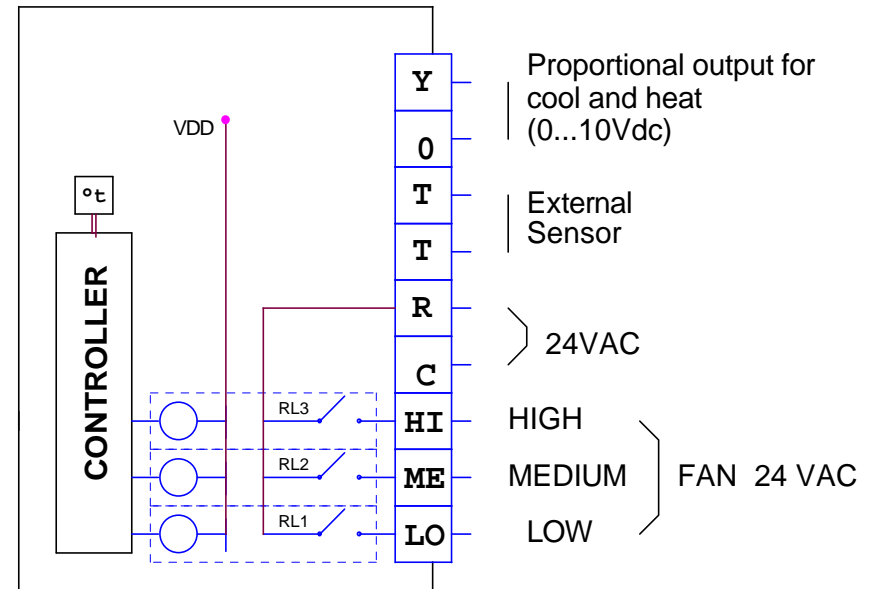
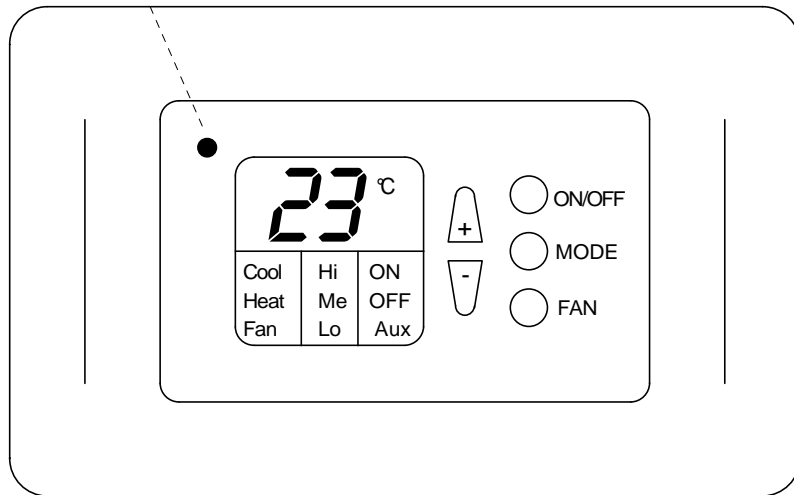


REMOTE CONTROL  
RECEIVER -  
OPTION



Y Proportional output for cool and heat (0...10Vdc)

T External Sensor

R 24VAC

C 24VAC

HI HIGH

ME MEDIUM

LO LOW

FAN 24 VAC

**meitav-tec**

Tel: 03-9626462 Fax: 03-9626620  
email: support@meitavtec.com

Title: **ERT24PD/3S/ES/BL/FMT**

Date: 08/03/2010 DWG No.

2	New S/W	28.02.11
1	Original (with BL)	08.03.10
No.	Revision	Date

Print name: ERT340P OUT-FMT-24P3	Drawn: M.Ruchansky
Check sum: 2FA5	Checked: A.Star
Software name: FPD1_3S2	Approved: A.Samocho
File name: ERT24-PD-3S-ES-BL-FMT.DSN	